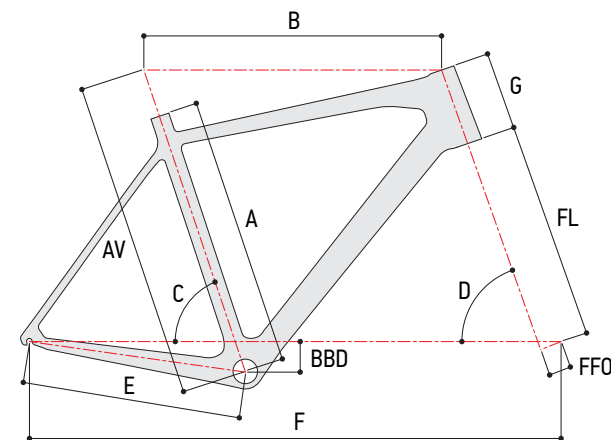


CROSS

| | | RX 590/570/530/520/510 | | | | | |
|--------------------------------|-----|-----------------------------|----------|----------|----------|-----------|------------|
| FRAME SIZE | | 16.5"(L) | 18.0"(M) | 16.5"(S) | 19.0"(L) | 21.5"(XL) | 23.0"(XXL) |
| SEAT TUBE LENGTH (MM) | A | 420 | 457 | 420 | 483 | 546 | 584 |
| EFFECTIVE TOP TUBE LENGTH (MM) | B | 575 | 585 | 570 | 590 | 610 | 630 |
| SEAT TUBE ANGLE | C | 74° | 74° | 74° | 73.5° | 73° | 73° |
| HEAD TUBE ANGLE | D | 70° | 70° | 69° | 70° | 71° | 71,5 |
| CHAINSTAY LENGTH (MM) | E | 445 | 445 | 445 | 445 | 445 | 445 |
| HEAD TUBE LENGTH (MM) | G | 160 | 160 | 120 | 140 | 160 | 180 |
| FORK LENGTH (MM) | FL | 430 | 430 | 430 | 430 | 430 | 430 |
| FRONT FORK OFF SET | FFO | 40 | 40 | 40 | 40 | 40 | 40 |
| WHEELBASE (MM) | F | 1081 | 1091 | 1085 | 1089 | 1094 | 1109 |
| BB DROP (MM) | BBD | 65 | 65 | 65 | 65 | 65 | 65 |
| BB SHELL SIZE | BB | TH-No42/ABC-MT | | | | | |
| HEAD TUBE SIZE | HS | IHS 1-1/8" ID44.0/OD50.0 mm | | | | | |
| SEAT POST DIAMETER (MM) | SP | 27.2 | 27.2 | 27.2 | 27.2 | 27.2 | 27.2 |
| SEAT CLAMP DIAMETER (MM) | SC | 31.8 | 31.8 | 31.8 | 31.8 | 31.8 | 31.8 |
| FRONT DERAILLEUR DIAMETER (MM) | FD | 31.8 | 31.8 | 31.8 | 31.8 | 31.8 | 31.8 |
| HANDLEBAR WIDTH (MM) | | 660 | 660 | 660 | 660 | 660 | 660 |
| STEM LENGTH (MM) | | 90 | 90 | 90 | 110 | 110 | 110 |
| CRANK LENGTH (MM) | | 170 | 170 | 170 | 175 | 175 | 175 |
| SEATPOST LENGTH (MM) | | 300 | 300 | 350 | 350 | 350 | 350 |



YOUR OPTIMAL FRAME SIZE

FRAME SIZES

| MTB / CROSS / WOMAN / E-SPORT | | | | | | |
|-------------------------------|------------|------------------------|----------------|---------------|---------------|------------|
| size | XS | S | M | L | XL | XXL |
| frame size | 13"/14" | 15.5"/16"/16.5"/16.5"L | 17.5"/18"/18"L | 19"/19.5"/20" | 21"/21.5"/22" | 23" |
| recommended rider height | 145-165 cm | 160-170 cm | 170-180 cm | 180-190 cm | 190-200 cm | 195-205 cm |

| ROAD / X-ROAD | | | | | |
|--------------------------|------------|------------|------------|------------|-----------|
| size | XS | S | M | L | XL |
| frame size | 50 cm | 52 cm | 54 cm | 56 cm | 58 cm |
| recommended rider height | 160-175 cm | 170-180 cm | 175-185 cm | 180-190 cm | 185-200cm |

| JUNIOR / KIDS | | | | | |
|--------------------------|----------|-----------|------------|------------|------------|
| size | 12" | 16" | 20" | 24" | 26" |
| recommended rider age | age 2-3 | age 3-5 | age 4-9 | age 8-13 | age 10-16 |
| recommended rider height | 70-95 cm | 85-110 cm | 100-135 cm | 130-155 cm | 145-165 cm |

HEIGHT TO SIZE CONVERTER

| RIDER'S HEIGHT | 145 | 150 | 155 | 160 | 165 | 170 | 175 | 180 | 185 | 190 | 195 | 200 | 205 | |
|-----------------------|-----|-----|-----|-----|-----|-----|-----|-----|-----|-----|-----|-----|-----|--|
| MTB CROSS WOMEN | XS | | | S | | | M | | | L | | | XL | |
| | XS | | | | | | S | | | XL | | | | |
| | XS | | | | | | S | | | XXL | | | | |
| | XS | | | | | | S | | | XXL | | | | |
| | XS | | | | | | S | | | XXL | | | | |
| ROAD | XS | | | S | | | M | | | L | | | XL | |
| | XS | | | | | | S | | | XL | | | | |
| | XS | | | | | | S | | | XXL | | | | |
| | XS | | | | | | S | | | XXL | | | | |
| | XS | | | | | | S | | | XXL | | | | |

| RIDER'S HEIGHT | 70 | 75 | 80 | 85 | 90 | 95 | 100 | 105 | 110 | 115 | 120 | 125 | 130 | 135 | 140 | 145 | 150 | 155 | 160 | 165 |
|----------------|----|----|----|----|----|----|-----|-----|-----|-----|-----|-----|-----|-----|-----|-----|-----|-----|-----|-----|
| KIDS JUNIOR | 12 | | | 16 | | | 20 | | | 24 | | | 26 | | | | | | | |
| | 12 | | | | | | 16 | | | 24 | | | | | | | | | | |
| | 12 | | | | | | 16 | | | 26 | | | | | | | | | | |
| | 12 | | | | | | 16 | | | 26 | | | | | | | | | | |
| | 12 | | | | | | 16 | | | 26 | | | | | | | | | | |